



MOVING HEAD

MH 180



WORLD HEADQUARTERS:
iDance H.K.
Unit 1, 5/F, MG Tower,
133 Hoi Bun Road, Kwun Tong,
Kowloon, Hong Kong.

UK OFFICE:
iDance Audio U.K.
Graham Lloyd Building, Midland
Structures Industrial Estate
Amphill Road, Bedford MK42 9JJ,
United Kingdom

EUROPE OFFICE:
iDance Audio Europe
Gaasterland 2c
1948PG Beverwijk
The Netherlands

This product meets the essential requirements of Directive 1999/5/EC.
<http://www.idanceaudio.com/documentation/declarationofconformity/>



REMOTE CONTROL

ON/OFF: turn on/off the power supply

Flash: flash mode

Save: after you chose some colors/mode, press this button to save, next time you open the light it will work in last mode you saved.

Auto 1: allow to select colors(R,G,B,W,RG,RB,GB,RGB)

Auto 2: Fast auto running mode

Auto 3: Slow auto running mode

Manual: Allow to set PAN or TILT position at random, and to select colors(R,G,B,W,RG,RB,GB,RGB)

Music1: Sound active model 1

Music2: Sound active model 2

X+,X-: to adjust PAN position

Y+,Y-: to adjust TILT position



DISPLAY



Slave Signal

DMX Signal



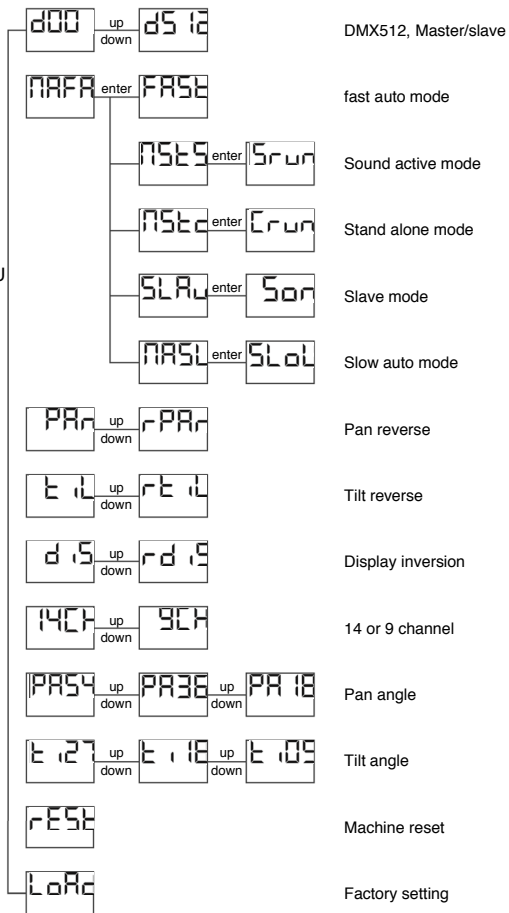
Menu: To select menu or exit

Up: Increase parameter

Down: Decrease parameter

Enter: Confirm or enter submenu

MENU



4. DMX512
1) 9 channel

Channel	Value	Function
1	0-255	Pan/X axis
2	0-255	Tilt/ Y axis
3	0-7	off
	8-134	master dimmer
	135-239	strobe from slow to fast
	240-255	open
4	0-255	red dimmer
5	0-255	green dimmer
6	0-255	blue dimmer
7	0-255	white dimmer
8	0-255	XY speed
9	150-200	reset

2) 14 channel

Channel	Value	Function
1	0-255	Pan/ X-axis
2	0-255	Pan Fine/ X-axis adjusted
3	0-255	Tilt/ Y-axis
4	0-255	Tilt Fine/ Y-axis adjusted
5	0-255	XY speed
6	0-7	off
	8-134	master dimmer
	135-239	strobe from slow to fast
	240-255	open
7	0-255	red dimmer
8	0-255	green dimmer
9	0-255	blue dimmer
10	0-255	white dimmer
11	0-7	mix color from 1-7channel
	8-231	macro color
	232-255	color changes as jumping
12	0-255	color jumping speed
13	0-7	channel 1-12
	8-63	fast running
	64-127	slow running
	128-191	sound active 1
	192-255	sound active 2
14	150-200	reset