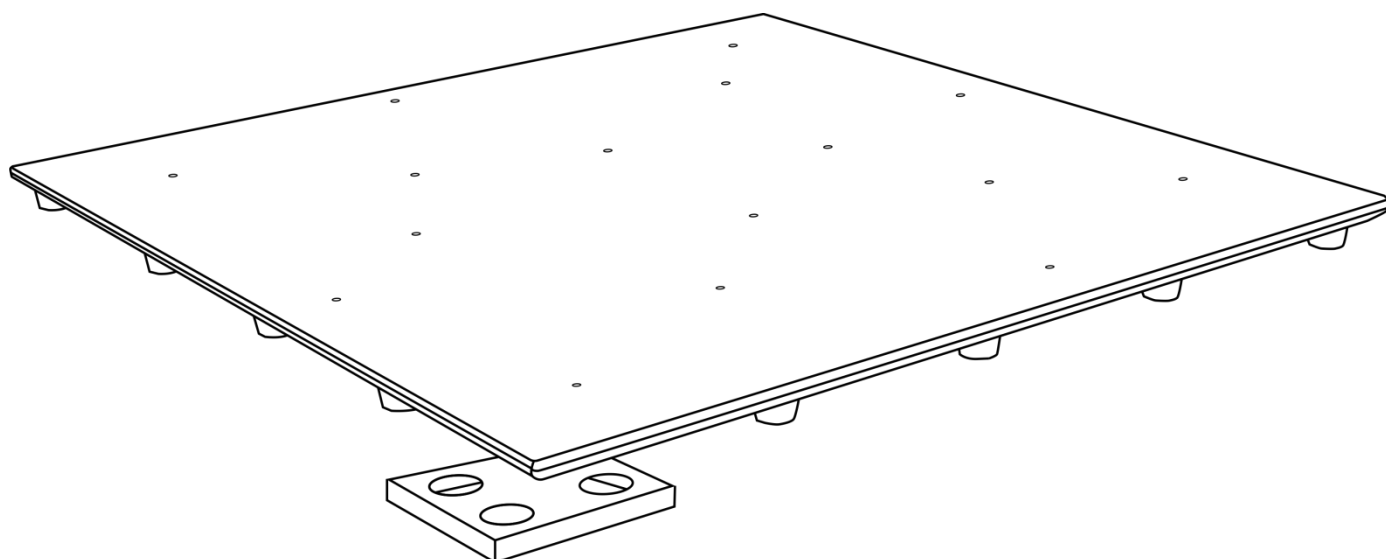




**MANUAL**



**ENGLISH**

# **Dancefloor Sparkle RGB V1**

**Ordercode: 42330**

## Table of contents

---

<b>Warning</b> .....	2
Safety Instructions .....	2
Operating Determinations .....	4
Connection with the mains .....	4
Return Procedure .....	5
Claims .....	5
<b>Description of the device</b> .....	6
Optional accessories .....	6
Overview .....	7
Backside .....	7
<b>Installation</b> .....	7
<b>Set Up and Operation</b> .....	7
Connecting multiple floor tiles .....	8
Connect the powersupply with the dancefloor .....	9
Installation example .....	11
Control Modes .....	12
Controlled by the remote control .....	12
Controlled by the Dancefloor Sparkle DMX Box .....	13
Data Cabling .....	13
<b>Remote control</b> .....	14
Overview .....	14
Intensity of the LEDES .....	14
Speed selection .....	14
Color selection .....	15
Program selection .....	15
<b>Dancefloor Sparkle DMX Box</b> .....	16
Overview .....	16
Backside .....	16
Control Panel .....	17
Control Mode .....	17
DMX Addressing .....	17
Menu Overview .....	18
Main Menu Options .....	18
DMX Addressing .....	18
Built-in programs .....	18
Color selection .....	19
Interval time/speed .....	19
Intensity .....	19
<b>DMX Channels</b> .....	20
5 Channels .....	20
<b>Maintenance</b> .....	22
<b>Troubleshooting</b> .....	22
No Light .....	22
No Response to DMX .....	22
<b>Product Specifications</b> .....	24
<b>Dimensions</b> .....	25
<b>Notes</b> .....	26

## Warning



**For your own safety, please read this user manual carefully  
before your initial start-up!**

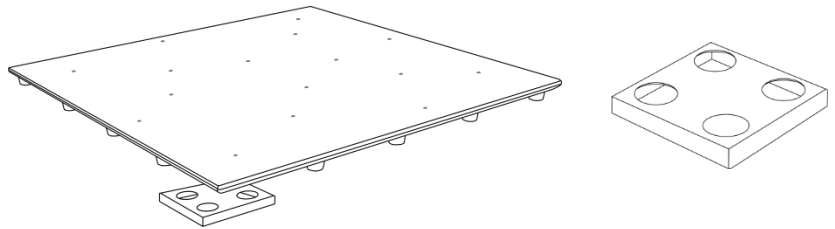


### Unpacking Instructions

Immediately upon receiving this product, carefully unpack the carton and check the contents to ensure that all parts are present, and have been received in good condition. Notify the dealer immediately and retain packing material for inspection if any parts appear to be damaged from shipping or the carton itself shows signs of mishandling. Save the carton and all packing materials. In the event that the fixture must be returned to the factory, it is important that the fixture be returned in the original factory box and packing.

### Your shipment includes:

- 1 Tile Dancefloor Sparkle RGB
- 1 Dancefloor Connection Plate
- User manual



### LED Expected Lifespan

LEDs gradually decline in brightness over time. HEAT is the dominant factor that leads to the acceleration of this decline. Packaged in clusters, LEDs exhibit higher operating temperatures than in ideal or singular optimum conditions. For this reason when all color LEDs are used at their fullest intensity, life of the LEDs is significantly reduced. If improving the lifespan is of higher priority, place care in providing for lower operational temperatures. This may include climatic-environmental and the reduction of overall projection intensity



### CAUTION!

**Keep this device away from rain and moisture!  
Unplug mains lead before opening the housing!**



### Safety Instructions

Every person involved with the installation, operation and maintenance of this device has to:

- be qualified
- follow the instructions of this manual



**CAUTION! Be careful with your operations.  
With a dangerous voltage you can suffer  
a dangerous electric shock when touching the wires!**



Before your initial start-up, please make sure that there is no damage caused by transportation. Should there be any, consult your dealer and do not use the device.

To maintain perfect condition and to ensure a safe operation, it is absolutely necessary for the user to follow the safety instructions and warning notes written in this manual.

Please consider that damages caused by manual modifications to the device are not subject to warranty.

This device contains no user-serviceable parts. Refer servicing to qualified technicians only.

### IMPORTANT:

The manufacturer will not accept liability for any resulting damages caused by the non-observance of this manual or any unauthorized modification to the device.

- Never let the power cord come into contact with other cables! Handle the power cord and all connections with the mains with particular caution!
- Never remove warning or informative labels from the unit.
- Never use anything to cover the ground contact.
- Never place any material over the lens.
- Never look directly into the light source.
- Never leave any cables lying around.
- Do not insert objects into air vents.
- Do not connect this device to a dimmerpack.
- Do not switch the device on and off in short intervals, as this would reduce the device's lifespan.
- Do not shake the device. Avoid brute force when installing or operating the device.
- Only use device indoor, avoid contact with water or other liquids.
- Only operate the fixture after having checked that the housing is firmly closed and all screws are tightly fastened.
- Only operate the device after having familiarized with its functions.
- Avoid flames and do not put close to flammable liquids or gases.
- Always keep case closed while operating.
- Always allow free air space of at least 50 cm around the unit for ventilation.
- Always disconnect power from the mains, when device is not used or before cleaning! Only handle the power cord by the plug. Never pull out the plug by tugging the power cord.
- Make sure that the device is not exposed to extreme heat, moisture or dust.
- Make sure that the available voltage is not higher than stated on the rear panel.
- Make sure that the power cord is never crimped or damaged. Check the device and the power cord from time to time.
- If the surface is obviously damaged, it has to be replaced to prevent its functions from being impaired, due to cracks or deep scratches.
- If device was dropped or struck, disconnect mains power supply immediately. Have a qualified engineer inspect for safety before operating.
- If the device has been exposed to drastic temperature fluctuation (e.g. after transportation), do not switch it on immediately. The arising condensation water might damage your device. Leave the device switched off until it has reached room temperature.
- If your Showtec device fails to work properly, discontinue use immediately. Pack the unit securely (preferably in the original packing material), and return it to your Showtec dealer for service.
- For adult use only. Device must be installed out of reach of children. Never leave the unit running unattended.
- Never attempt to bypass the thermostatic switch or fuses.
- For replacement, use fuses of same type and rating only.
- The user is responsible for correct positioning and operating of the Showtec Dancefloor Sparkle RGB. The manufacturer will not accept liability for damages caused by the misuse or incorrect installation of this device.
- This device falls under protection class I. Therefore it is essential to connect the yellow/green conductor to earth.
- Repairs, servicing and electrical connection must be carried out by a qualified technician.
- WARRANTY: Till one year after date of purchase.



**CAUTION! Eyedamages!!!**  
**Avoid looking directly into the lightsource!!!**  
**(meant especially for epileptics)!!!**



## Operating Determinations

- This device is not designed for permanent operation. Regular operation breaks will ensure that the device will serve you for a long time without defects.
- The minimum distance between light-output and the illuminated surface must be bigger than 0,5 meter.
- The minimum ambient temperature must never be under  $t_a = 0^{\circ}\text{C}$ .
- The maximum ambient temperature  $t_a = 40^{\circ}\text{C}$  must never be exceeded.
- The relative humidity must not exceed 50 % with an ambient temperature of  $40^{\circ}\text{C}$ .
- If this device is operated in any other way than the one described in this manual, the product may suffer damages and the warranty becomes void.
- Any other operation may lead to dangers like short-circuit, burns, electric shock, crash etc.


You endanger your own safety and the safety of others!

Improper installation can cause serious injuries and/or damage of property!

## Connection with the mains

Connect the device to the mains with the power plug.

Always check if the right color cable is connected to the right place.

International	EU Cable	UK Cable	US Cable	Pin
L	BROWN	RED	YELLOW/COPPER	PHASE
N	BLUE	BLACK	SILVER	NEUTRAL
	YELLOW/GREEN	GREEN	GREEN	PROTECTIVE GROUND

*Make sure that the device is always connected properly to the earth!*

*Improper installation can cause serious damage to people and property!*





### Return Procedure



Returned merchandise must be sent prepaid and in the original packing, call tags will not be issued. Package must be clearly labeled with a Return Authorization Number (RMA number). Products returned without an RMA number will be refused. Highlite will not accept the returned goods or any responsibility. Call Highlite 0031-455667723 or mail [offersales@highlite.nl](mailto:offersales@highlite.nl) and request an RMA prior to shipping the fixture. Be prepared to provide the model number, serial number and a brief description of the cause of the return. Be sure to properly pack fixture as any shipping damage resulting from inadequate packaging is the customer's responsibility. Highlite reserves the right to use its own discretion to repair or replace product(s). As a suggestion, proper UPS packing or double-boxing is always a safe method to use.

**Note: If you are given an RMA number, please include the following information on a piece of paper inside the box:**

- 01) Your name.
- 02) Your address.
- 03) Your phone number.
- 04) A brief description of the symptoms.

### Claims

The client has the obligation to check the delivered goods immediately upon delivery for any shortcomings and/or visible defects, or perform this check after our announcement that the goods are at their disposal. Damage incurred in shipping is the responsibility of the shipper; therefore the damage must be reported to the carrier upon receipt of merchandise.

It is the customer's responsibility to notify and submit claims with the shipper in the event that the fixture is damaged due to shipping. Transportation damage has to be reported to us within one day after receipt of the delivery.

Any return shipment has to be made post-paid at all times. Return shipments must be accompanied with a letter defining the reason for return shipment. Non-prepaid return shipments will be refused, unless agreed otherwise in writing.

Complaints against us must be made known in writing or by fax within 10 working days after receipt of the invoice. After this period, complaints will not be handled anymore.

Complaints will only be considered if the client has so far complied with all parts of the agreement, regardless of the agreement of which the obligation is resulting.

## Description of the device

---

### Features

The Showtec Dancefloor Sparkle RGB is a stylish yet user friendly dancefloor which is ideal for wedding, corporate events, dance parties etc. The dancefloor has a safe low voltage DC connection which makes it very easy to connect.

- Easy to assemble
- Compact size
- Lightweight
- Audio controlled for each tile
- LED Quantity: 16x RGB LEDs
- LED Type: 5050SMD
- Control protocol: RF
- Control: Programs, Colors, Speed, Brightness, DMX
- DMX channels: 5
- Power consumption: 8W
- IP rating: IP20 back, IP44 top.
- Max load: 150 Kg per panel
- Dimensions: 607 x 607 x 30 mm (LxWxH)
- Weight: 8,5 Kg

**Note:** Knowledge of DMX is required to fully utilize this unit.

### Optional accessories

[42331](#) Dancefloor Sparkle PSU (included remote control)

[42332](#) Dancefloor Sparkle DMX Box

42333 Seperate RF remote control

[42335](#) Ramp 61 cm for Dancefloor Sparkle

[42336](#) Ramp + corner 61 cm for Dancefloor Sparkle

[42337](#) Ramp 122 cm for Dancefloor Sparkle

[42338](#) Dancefloor Connection Plate

[42339](#) Ramp + corner 61 cm (feed-in hole)

## Overview

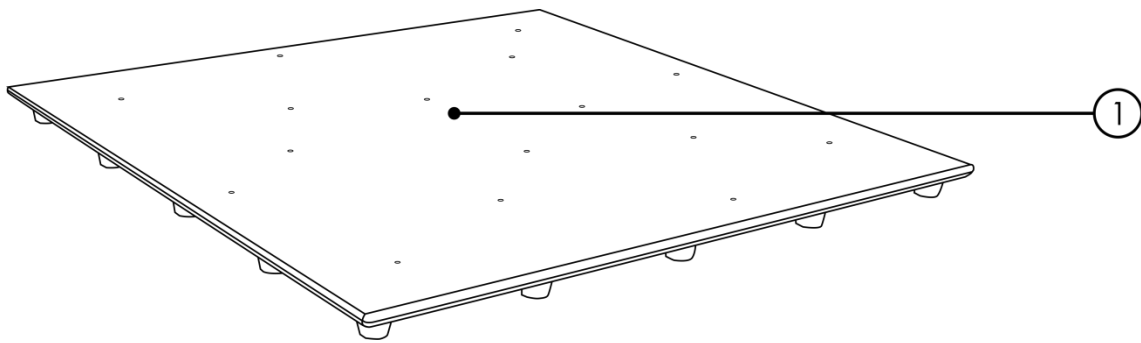


Fig. 01

01) 16x RGB (5050SMD) LEDs

## Backside

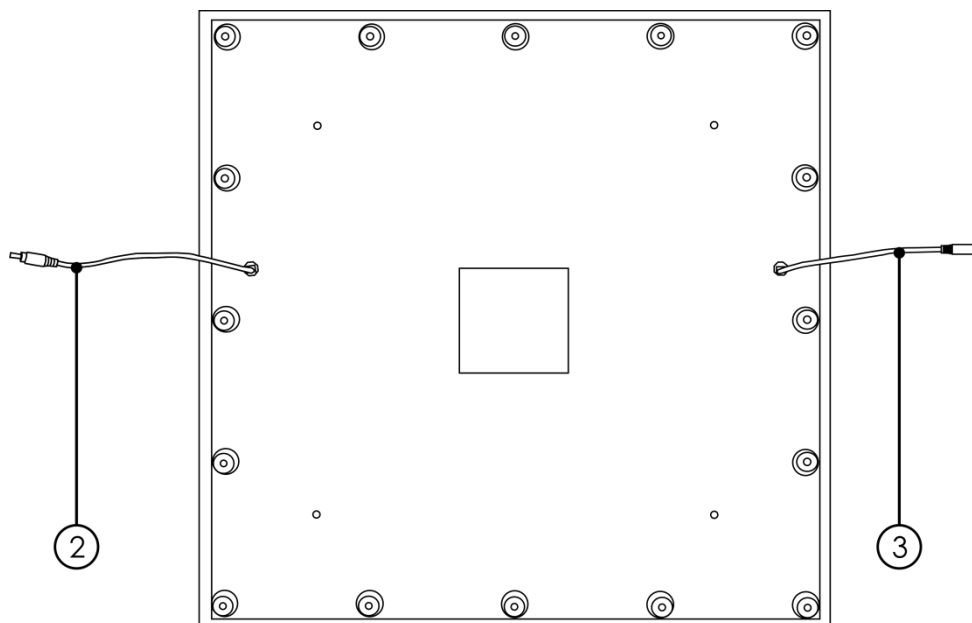


Fig. 02

02) 2,5 mm DC connection cable male  
03) 2,5 mm DC connection cable female

## Installation

Remove all packing materials from the Dancefloor Sparkle RGB. Check that all foam and plastic padding is removed. Connect all cables.

**Do not supply power before the whole system is set up and connected properly.**

**Always disconnect from electric mains power supply before cleaning or servicing.**

**Damages caused by non-observance are not subject to warranty.**

## Set Up and Operation

Before plugging the unit in, always make sure that the power supply matches the product specification voltage. Do not attempt to operate a 120V specification product on 230V power, or vice versa.

### Connecting multiple floor tiles

With the included Dancefloor Connection Plate you can connect multiple tiles and ramps. You can connect a maximum of four tiles to one Connection Plate. Take the first tile and place it on the Connection Plate, see figure 03 and 04.

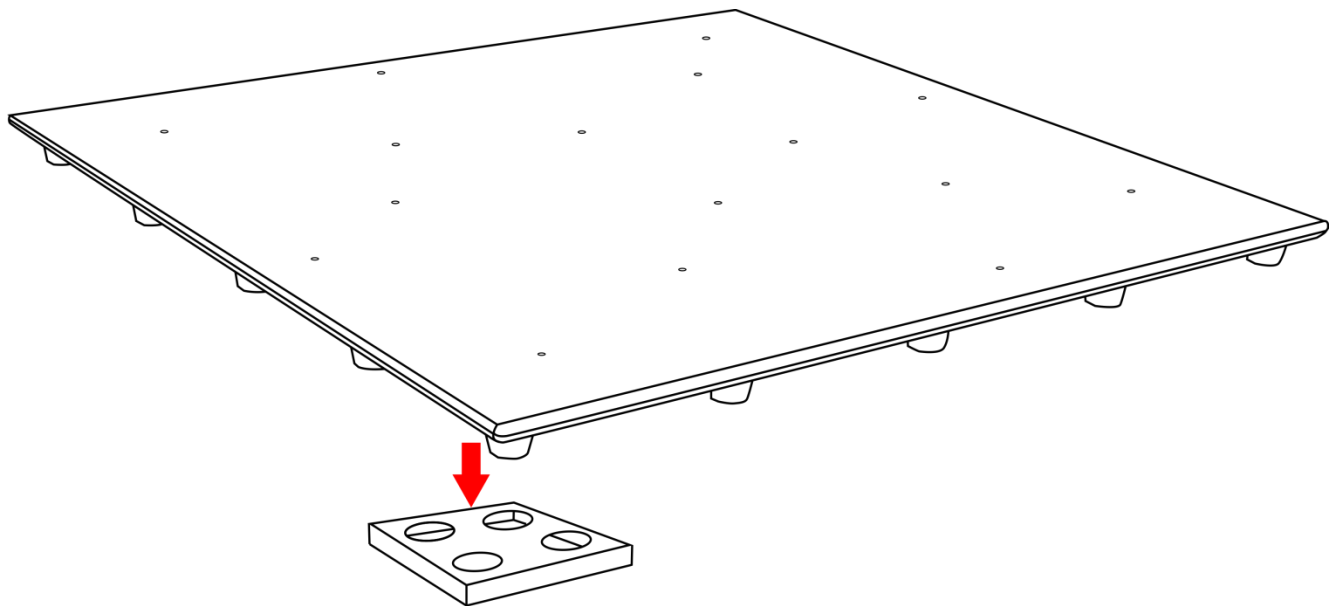


Fig. 03

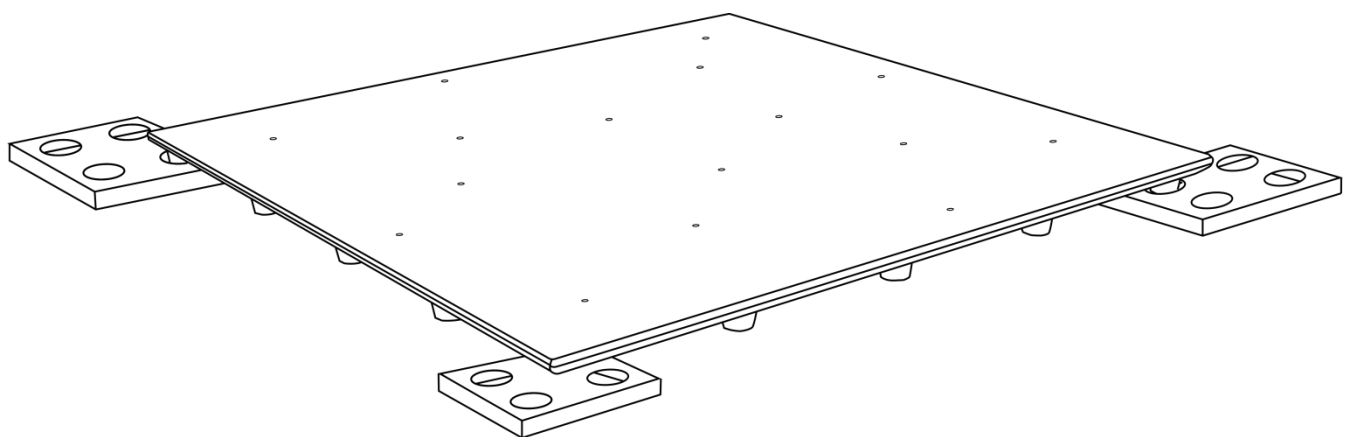


Fig. 04

(connection plate on each corner)

Then take the second tile and place it on the first and second Connection Plate, see figure 05.

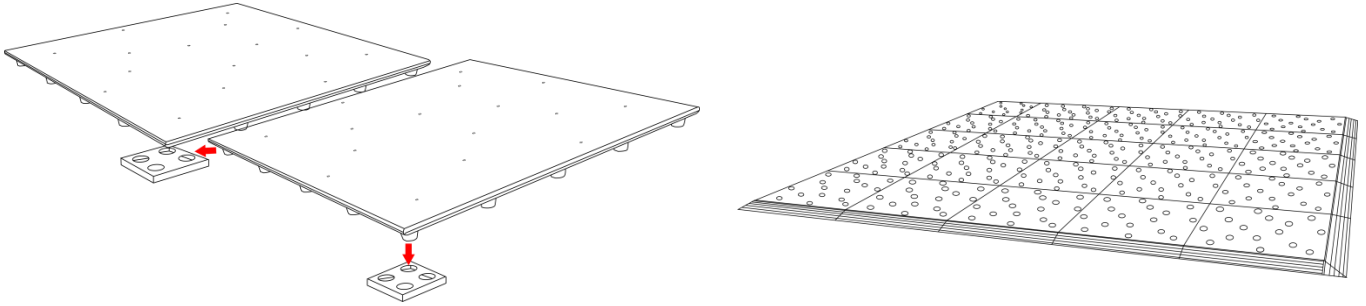


Fig. 05

Proceed this till you have made your desired dancefloor size (figure 05).

To protect the edge of the floor and make a visible boundary, you can use a ramp ([42335](#), [42337](#)), see figure 06, or a ramp including a corner ([42336](#), [42339](#)), see figure 07.

You can use the special ramp [42339](#) with the feed-in hole to connect the powersupply to the dancefloor.

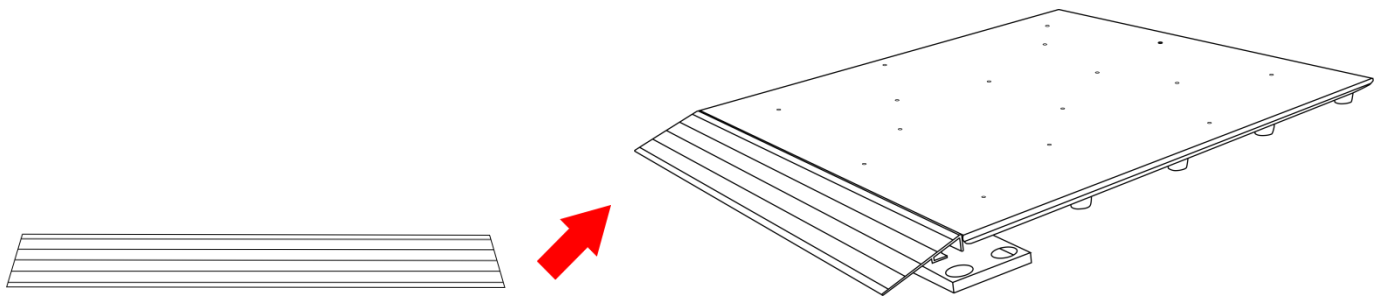


Fig. 06

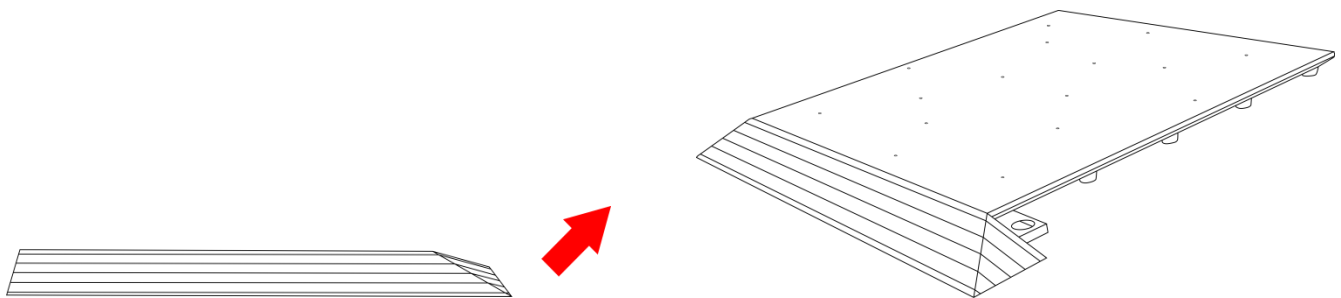


Fig. 07

### Connect the powersupply with the dancefloor

To operate the Dancefloor you'll have to connect the dancefloor with the optional powersupply ([42331](#)). You have to purchase the powersupply in order to provide power to the Dancefloor Sparkle RGB. Please connect the tiles to the powersupply according to the following steps.

First install the desired number of tiles and connect them with the connector cables. Connect the male connection cable with the female connection cable, see figure 08.

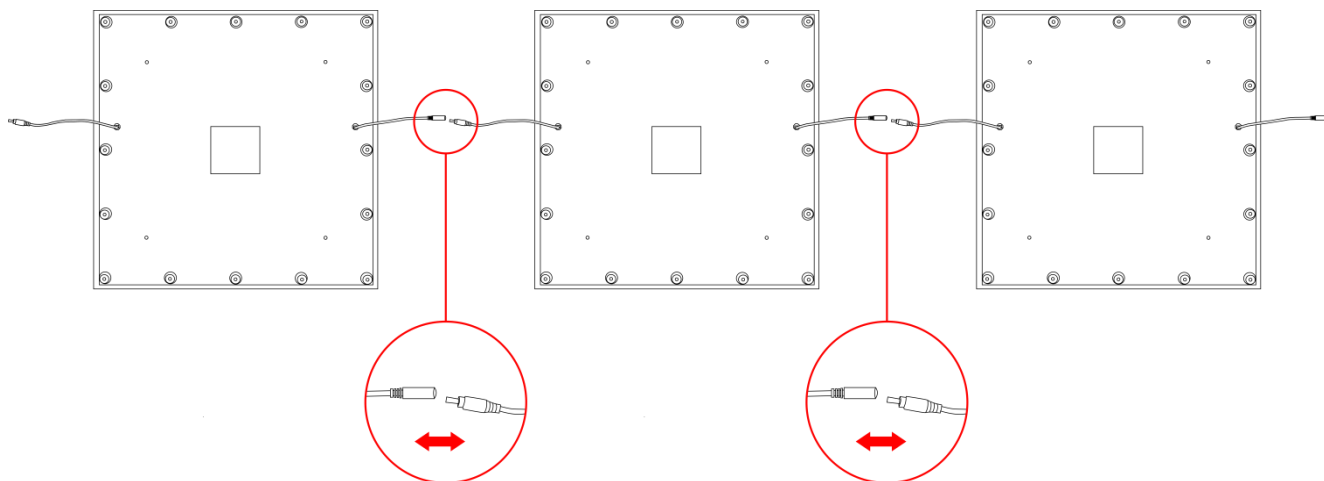


Fig. 08

If all tiles are properly connected you have to connect the powersupply to the dancefloor. Always connect the outer tile to the powersupply. Connect one of the five female connectors from the powersupply to the male connector from the outer tile, see figure 09.

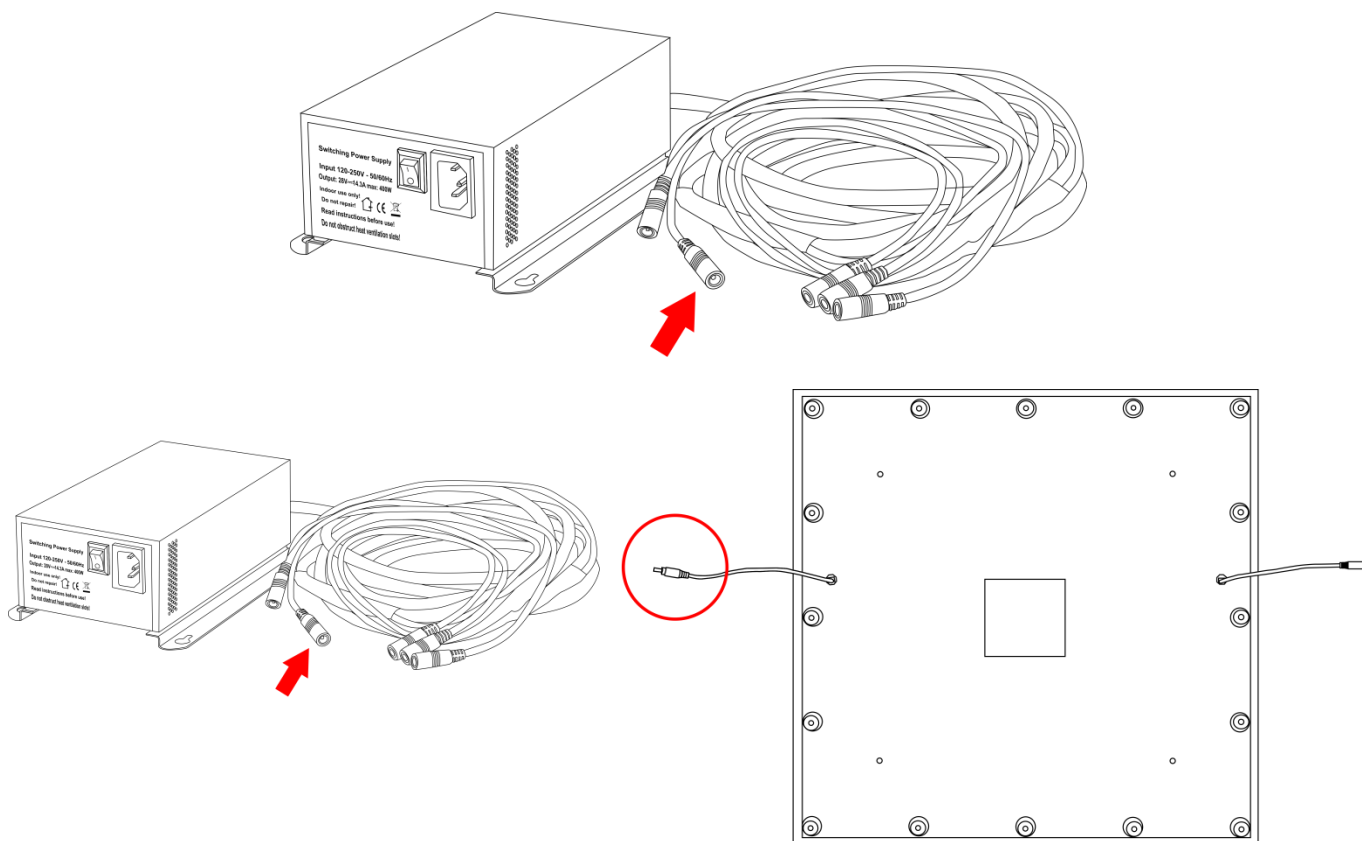


Fig. 09

The powersupply has 5 female connector cables to connect with the dancefloor. Each cable (output) can link a maximum of 10 tiles at the same time. We recommend to use a maximum of **9 tiles** per output. The powersupply has a total capacity of 400W. After you have linked the first output to the first tile range, link the second output to the next outer tile. Proceed this till you have used the 5 outputs.

Plug electric mains power cords into the IEC socket from the powersupply, then plug the other end of the mains power cord into a proper electric power supply socket. Do not supply power before the whole system is set up and connected properly.



**Max. 45 tiles on 1 powersupply**

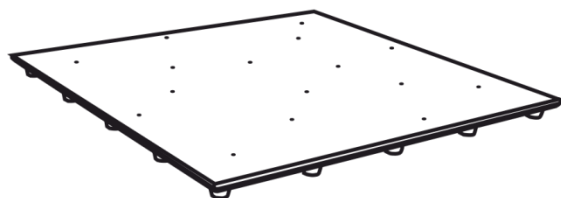
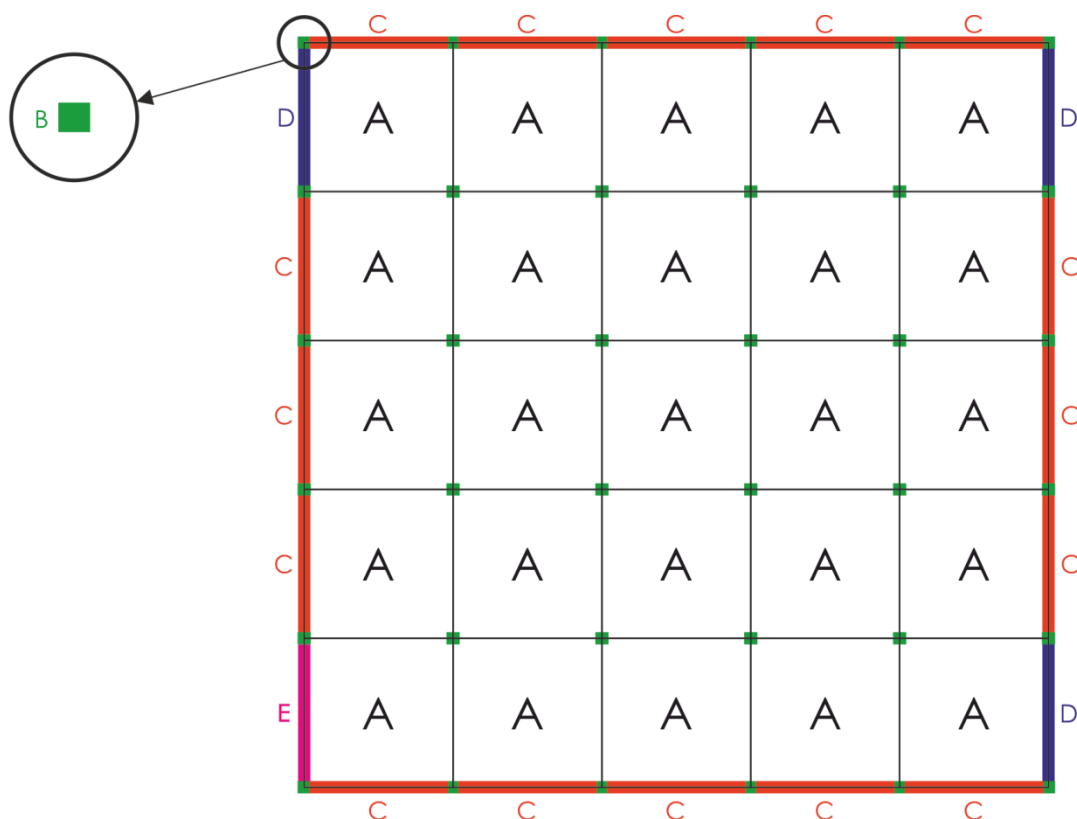


## Installation example

### 9,2 m<sup>2</sup> Dancefloor Sparkle RGB

The list of needed items:

- (A) 25 x Dancefloor Sparkle RGB 0,607 m x 0,607 m ([42330](#))
- (B) 36 x Dancefloor Connection Plates ([42338](#))
- (C) 16 x Ramp 61 cm for Dancefloor Sparkle ([42335](#))
- (D) 3 x Ramp + corner 61 cm for Dancefloor Sparkle ([42336](#))
- (E) 1 x Ramp + corner 61 cm (feed-in hole) ([42339](#))
- 1 x Dancefloor Sparkle PSU (included remote control) ([42331](#))
- Optional 1 x Dancefloor Sparkle DMX Box ([42332](#))



42330 (A)



42338 (B)



42335 (C)



42336 (D)



42339 (E)

Fig.10



## Controlled by the Dancefloor Sparkle DMX Box

- 01) Setup and link the tiles as shown in the previous paragraphs (page 8-11).
- 02) Link the DMX lightcontroller with the Dancefloor Sparkle DMX Box by using a DMX-cable.
- 03) Use the Dancefloor Sparkle DMX Box or DMX lightcontroller to operate the dancefloor, see figure 12.
- 04) For more information about Dancefloor Sparkle DMX Box, see the chapter Dancefloor Sparkle DMX Box.

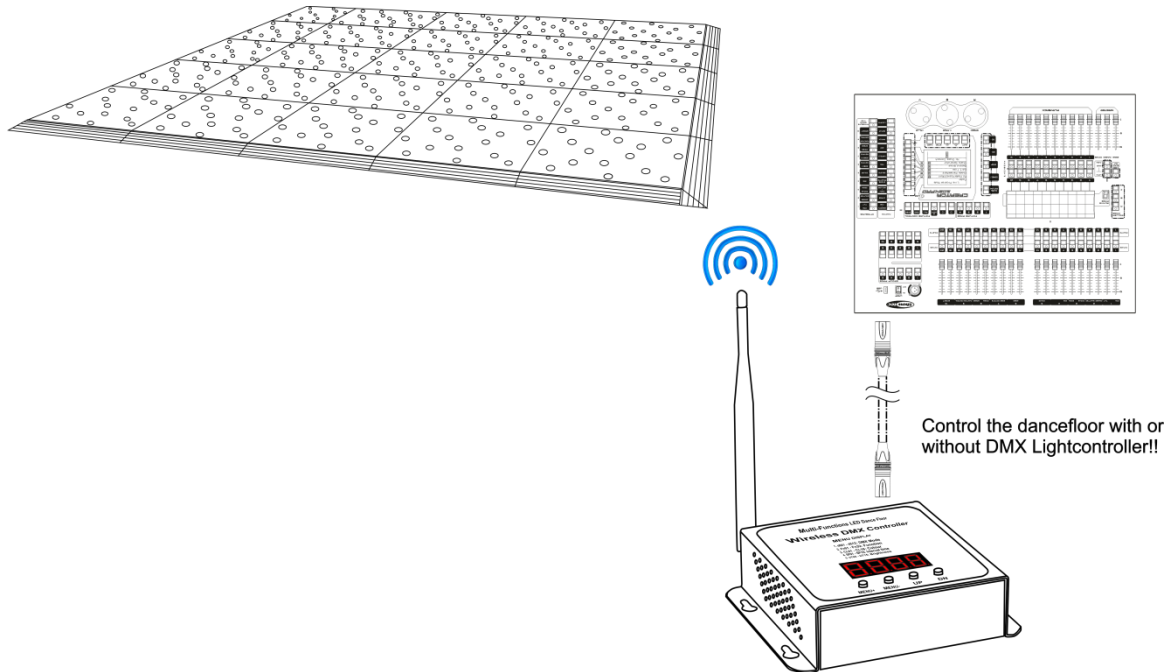


Fig. 12

## Data Cabling

To link the Dancefloor Sparkle DMX Box with a suitable lightcontroller you must obtain a data cable. You can purchase DAP Audio certified DMX cables directly from a dealer/distributor or construct your own cable. If you choose to create your own cable please use data-grade cables that can carry a high quality signal and are less prone to electromagnetic interference.

### DAP Audio DMX Data Cables

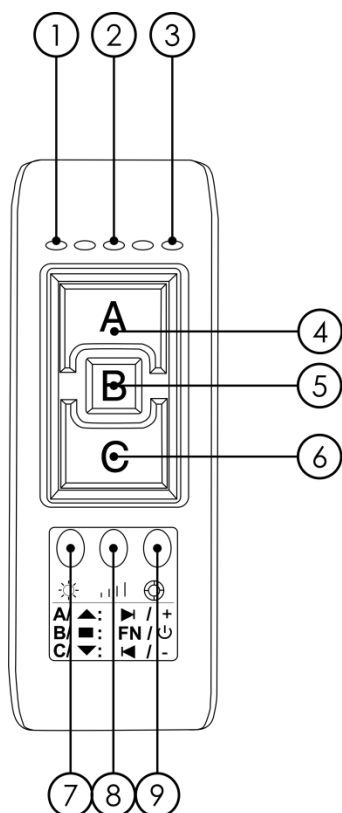
- DAP Audio Basic microphone cable for allround use. bal. XLR/M 3-pin > XLR/F 3-pin. **Ordercode** FL01150 (1,5 m), FL013 (3 m), FL016 (6 m), FL0110 (10 m), FL0115 (15 m), FL0120 (20 m).
- DAP Audio X-type data cable XLR/M 3-pin > XLR/F 3-pin. **Ordercode** FLX0175 (0,75 m), FLX01150 (1,5 m), FLX013 (3 m), FLX016 (6 m), FLX0110 (10 m).
- DAP Audio cable for the demanding user with exceptional audio-qualities and connector made by Neutrik®. **Ordercode** FL71150 (1,5 m), FL713 (3 m), FL716 (6 m), FL7110 (10 m).
- DAP Audio cable for the demanding user with exceptional audio-qualities and connector made by Neutrik®. **Ordercode** FL7275 (0,75 m), FL72150 (1,5 m), FL723 (3 m), FL726 (6 m), FL7210 (10 m).
- DAP Audio 110 Ohm cable with digital signal transmission. **Ordercode** FL0975 (0,75 m), FL09150 (1,5 m), FL093 (3 m), FL096 (6 m), FL0910 (10 m), FL0915 (15 m), FL0920 (20 m).
- DAP Audio DMX adapter: 3-pin/5-pin. **Ordercode** FLA30.

## Remote control

With the remote control you can control your dancefloor (max distance 20 m). The remote control is not included with the file. If you purchase the powersupply ([42331](#)), the remote control is included or separate available ordercode 42333.

When no button is pressed for 10 seconds, the remote control will turn off. To activate the remote control, you have to press the **B- button**. Once you have pressed this button, the remote control will be activated and one of the LED indicators will light up.

### Overview



- 01) LED Indicator Intensity
- 02) LED Indicator Speed
- 03) LED Indicator Color
- 04) A-button: Up / Increase button
- 05) B-button: Program change / Turn on the remote control
- 06) C-button: Down / Decrease button
- 07) ☀: intensity of the LEDs
- 08) |||: speed selection
- 09) 🌀: preset colors

Fig. 13

### Intensity of the LEDs


With this function you can set the intensity of the LEDs. Press the ☀ **button** and the first LED indicator will light up. To increase the intensity of the LEDs you have to press the **A-button**. Press the **C-button** to decrease the intensity of the LEDs. The LEDs will light up from dark till brightest in 15 steps.

**Note:** If you choose color white there are only 11 steps.

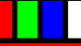











### Speed selection

With this function you can set the speed of the LEDs during a program. Press the ||| **button**, the second LED indicator will light up. To increase the speed you have to press the **A-button**. Press the **C-button** to decrease the speed. The program speed will go from slow to fast in 16 steps.

## Color selection

With this function you can select a preset color. Press the  **button**, the third LED indicator will light up. To select the next color you have to press the **A-button**. Press the **C-button** to return to the previous color. You can choose 16 preset colors.


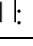




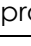


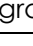
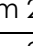

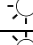
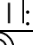
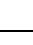
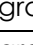
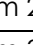
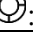
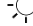
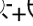
### Color table:

NR		NR		NR		NR	
1	 R+G+B+W	5	WHITE	9	 ORANGE	13	 LIME
2	 RED	6	YELLOW	10	 LIGHT GREEN	14	 OCEAN BLUE
3	 GREEN	7	CYAN	11	 LIGHT BLUE	15	 AMBER
4	 BLUE	8	PURPLE	12	 PINK	16	 FULL ON

## Program selection

With this function you can select a built-in program.

Press the **B-button** to activate the remote control. Now you can select a program by using the **B-button** again, to activate the next program press the **B-button**. To go back to the previous built-in program press the **B and C-button** simultaneously. You can choose 32 built-in programs. To switch faster between these programs you can use some key combinations, these are (**Note:** press them simultaneously):

Button A+B:	program 1	Button A+  :	program 3
Button A+      :	program 5	Button A+  :	program 9
Button B+  :	program 13	Button B+      :	program 15
Button B+  :	program 18	Button C+  :	program 20
Button C+      :	program 23	Button C+  :	program 25
Button  +      :	program 27	Button      +  :	program 29 (Sound mode, pr.29-31)
Button  +  :	program 32	Button A+C:	off, stand-by mode

## Dancefloor Sparkle DMX Box

With the optional Dancefloor Sparkle DMX Box ([42332](#)) you can choose between two options to control your dancefloor. The first option is to use the menu options 2-5 inside the Dancefloor Sparkle DMX Box. These will be explained in this chapter. The second option is to control the dancefloor with a DMX controller. The Dancefloor Sparkle DMX Box has 5 DMX channels to control your dancefloor.

### Overview

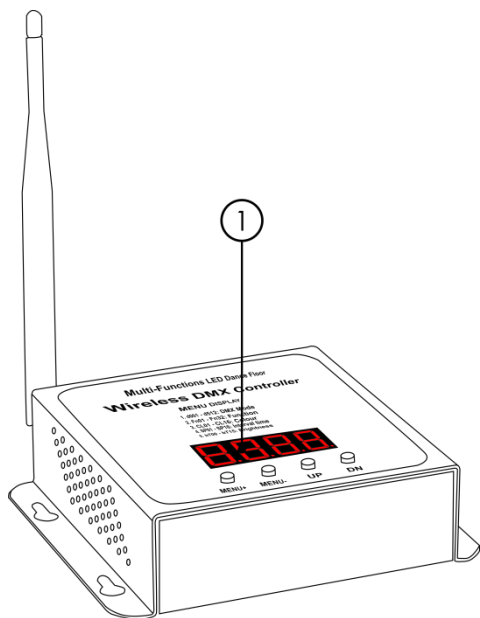


Fig. 14

- 01) LED Display + menu buttons

### Backside

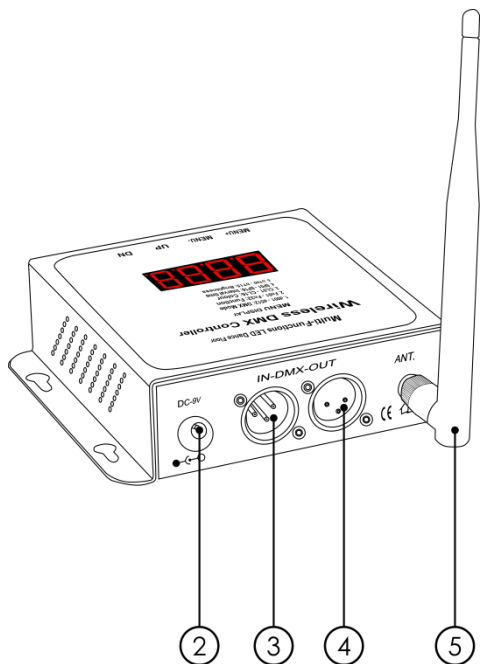
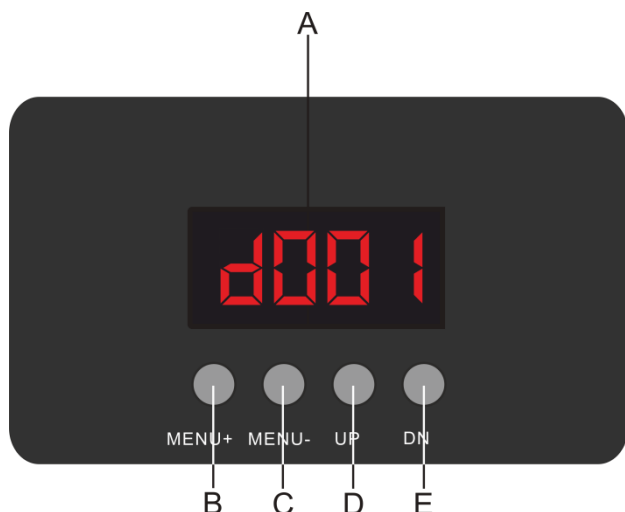


Fig. 15

- 02) Input 9V adapter
- 03) 3-pin DMX signal connector IN
- 04) 3-pin DMX signal connector OUT
- 05) Antenna for wireless connection with the dancefloor

## Control Panel



- A) LED display
- B) MENU + button
- C) MENU - button
- D) UP button
- E) DOWN button

Fig. 16

## Control Mode

The devices are individually addressed on a data-link and connected to the controller. The devices respond to the DMX signal from the controller. (When you select the DMX address and save it, the controller will display the saved DMX address, next time.)

## DMX Addressing

The control panel on the front side of the device allows you to assign DMX fixture addresses, which is the first channel with which the Dancefloor Sparkle DMX Box will respond to the controller.

Please note, when you use the controller, the unit has **5** channels.

When using multiple Dancefloor Sparkle DMX Boxes, make sure you set the DMX addresses right. Therefore, the DMX address of the first Dancefloor Sparkle DMX Box should be **1(d001)**; the DMX address of the second Dancefloor Sparkle DMX Box should be **1+5=6 (d006)**; the DMX address of the third Dancefloor Sparkle DMX Box should be **6+5=11 (d011)**, etc. Please, be sure that you do not have any overlapping channels in order to control each Dancefloor Sparkle DMX Box correctly. If two or more Dancefloor Sparkle DMX Boxes are addressed similarly, they will work similarly.

## Controlling:

After having addressed all Dancefloor Sparkle DMX Boxes, you may now start operating these via your lighting controller.

**Note:** After switching on, the Dancefloor Sparkle DMX Box will automatically detect whether DMX 512 data is received or not. If not, the problem may be:

- The XLR cable from the controller is not connected with the input of the Dancefloor Sparkle DMX Box.
- The controller is switched off or defective, the cable or connector is defective, or the signal wires are swapped in the input connector.

**Note:** It is necessary to insert an XLR termination plug (with 120 Ohm) in the last device in order to ensure proper transmission on the DMX data link.

## Display Off after 60 seconds

When no button is pressed for 60 seconds, the display will turn off.

To light up the display, you have to press the **MENU +**, **MENU -**, **UP** or **DOWN** button.

Once you have pressed the button, the display will light up.

## Menu Overview



## Main Menu Options

<b>d001</b>	DMX address
<b>Fn00</b>	Built in programs
<b>CL01</b>	Color selection
<b>SP01</b>	Interval time/speed
<b>b700</b>	Intensity

### DMX Addressing

With this menu you can set the DMX address.

- 01) Press the **MENU+** button until the display shows **d001**.
- 02) You can choose 512 different DMX addresses.
- 03) Use the **UP/DOWN** buttons to select the required address from **d001** <sup>UP/DN</sup> **d512**.
- 04) Press the **MENU+** and **MENU-** buttons simultaneously to save the desired DMX address.
- 05) The device will remember the last saved address when starting up.

### Built-in programs

With this menu you can choose a built-in program.

- 01) Press the **MENU+** button until the display shows **Fn00**.
- 02) You can choose 32 different built-in programs.
- 03) Use the **UP/DOWN** buttons to select the desired program from **Fn00** <sup>UP/DN</sup> **Fn32**.
- 04) **Fn00** is the stand-by mode.
- 05) Press the **MENU+** and **MENU-** buttons simultaneously to save the desired built-in program.
- 06) The device will remember the last saved built-in program when starting up.



## DMX Channels

### 5 Channels

#### Channel 1 – Dimmer intensity

0-15	Intensity 0 (Dark)
16-31	Intensity 1
32-47	Intensity 2
48-63	Intensity 3
64-79	Intensity 4
80-95	Intensity 5
96-111	Intensity 6
112-127	Intensity 7
128-143	Intensity 8
144-159	Intensity 9
160-175	Intensity 10
176-192	Intensity 11
193-208	Intensity 12
209-224	Intensity 13
225-240	Intensity 14
241-255	Intensity 15 (Brightest)

#### Channel 2 – Programs (CH1 must be set between 016-255 )

0-20	Stand by mode / off
21-27	Program 1 (Static)
28-34	Program 2
35-41	Program 3
42-48	Program 4
49-55	Program 5
56-62	Program 6
63-69	Program 7
70-76	Program 8
77-83	Program 9
84-90	Program 10
91-97	Program 11
98-104	Program 12
105-111	Program 13
112-118	Program 14
119-125	Program 15
126-132	Program 16
133-139	Program 17
140-146	Program 18
147-153	Program 19
154-160	Program 20
161-167	Program 21
168-174	Program 22
175-181	Program 23
182-188	Program 24
189-195	Program 25
196-202	Program 26
203-209	Program 27
210-216	Program 28
217-223	Program 29 (Sound, static color)
224-230	Program 30 (Sound, color changes)
231-237	Program 31 (Sound, flash)
238-255	Program 32 (Auto mode)

## Channel 3 – Auto program speed (CH1 must be set between 016-255 and CH2 between 028-216 )

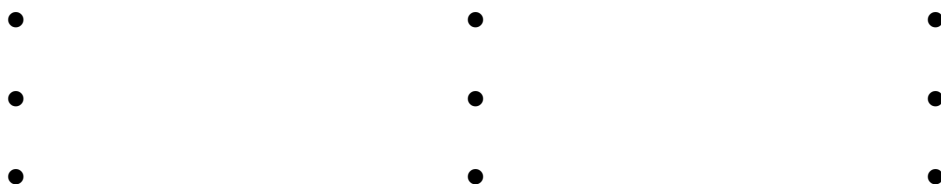
0-15	Speed 1 (slowest)
16-31	Speed 2
32-47	Speed 3
48-63	Speed 4
64-79	Speed 5
80-95	Speed 6
96-111	Speed 7
112-127	Speed 8
128-143	Speed 9
144-159	Speed 10
160-175	Speed 11
176-192	Speed 12
193-208	Speed 13
209-224	Speed 14
225-240	Speed 15
241-255	Speed 16 (fastest)

## Channel 4 – Colors (CH1 must be set between 016-255 )

0-15	Color 1
16-31	Color 2
32-47	Color 3
48-63	Color 4
64-79	Color 5
80-95	Color 6
96-111	Color 7
112-127	Color 8
128-143	Color 9
144-159	Color 10
160-175	Color 11
176-192	Color 12
193-208	Color 13
209-224	Color 14
225-240	Color 15
241-255	Color 16

## Channel 5 – Sync Interval time (CH1 must be set between 016-255 )

0-3	Sync interval time is 1 minute
4-7	Sync interval time is 2 minutes
8-11	Sync interval time is 3 minutes



244-247	Sync interval time is 62 minutes
248-251	Sync interval time is 63 minutes
252-255	Sync interval time is 64 minutes

### Maintenance

---

The operator has to make sure that safety-related and machine-technical installations are to be inspected by an expert after every year in the course of an acceptance test.

The operator has to make sure that safety-related and machine-technical installations are to be inspected by a skilled person once a year.

The following points have to be considered during the inspection:

- 01) All screws used for installing the device or parts of the device have to be tightly connected and must not be corroded.
- 02) There may not be any deformations on housings, fixations and installation spots.
- 03) Mechanically moving parts like axles, eyes and others may not show any traces of wearing.
- 04) The electric power supply cables must not show any damages or material fatigue.

The Dancefloor Sparkle RGB requires almost no maintenance. However, you should keep the unit clean. Otherwise, the fixture's light-output will be significantly reduced. Switch off the device and then wipe the cover with a damp cloth. Wipe the front glass panel clean with glass cleaner and a soft cloth. Do not use alcohol or solvents. The front glass panel will require weekly cleaning, as smoke-fluid tends to build up residues, reducing the light-output very quickly. Do not immerse in liquid.

Keep connections clean. Disconnect electric power, and then wipe the DMX connections with a damp cloth. Make sure connections are thoroughly dry before linking equipment or supplying electric power.

### Troubleshooting

---

#### No Light

This troubleshooting guide is meant to help solve simple problems.

If a problem occurs, follow the steps below in sequence until a solution is found. Once the unit operates properly, do not carry out the following steps.

If the light effect does not operate properly, refer servicing to a technician.

Response: Suspect two potential problem areas: power supply, the LEDs.

- 01) Power supply. Check that the unit is plugged into an appropriate power supply.
- 02) The LEDs. Return the Dancefloor Sparkle RGB to your Showtec dealer.
- 03) If all of the above appears to be in order, switch the unit on again.
- 04) If you are unable to determine the cause of the problem, do not open the Dancefloor Sparkle RGB, as this may damage the unit and the warranty will become void.
- 05) Return the device to your Showtec dealer.

#### No Response to DMX

Response: Suspect the DMX cable or connectors, a controller malfunction, a light effect DMX card malfunction.

- 01) Check the DMX setting. Make sure that DMX addresses are correct.
- 02) Check the DMX cable: Unplug the unit; change the DMX cable; then reconnect to electrical power. Try your DMX control again.
- 03) Determine whether the controller or light effect is to blame. Does the controller operate properly with other DMX products? If not, take the controller in for repair. If it does, take the DMX cable and the light effect to a qualified technician.

Problem	Probable cause(s)	Solution
One or more fixtures do not function at all	No power to the tile	<ul style="list-style-type: none"> <li>Check if power is switched on and cables are plugged in</li> </ul>
	Internal fuse blown	<ul style="list-style-type: none"> <li>Return the device to your Showtec dealer</li> </ul>
Fixtures reset correctly, but all respond erratically or not at all to the controller	The controller is not connected.	<ul style="list-style-type: none"> <li>Connect controller.</li> </ul>
	3-pin XLR Out of the controller does not match XLR Out of the first fixture on the link (i.e. signal is reversed)	<ul style="list-style-type: none"> <li>Install a phase reversing cable between the controller and the first fixture on the link</li> </ul>
Fixtures reset correctly, but some respond erratically or not at all to the controller	Poor data quality	<ul style="list-style-type: none"> <li>Check data quality. If much lower than 100 percent, the problem may be a bad data link connection, poor quality or broken cables, missing termination plug, or a defective fixture disturbing the link</li> </ul>
	Bad data link connection	<ul style="list-style-type: none"> <li>Inspect connections and cables. Correct poor connections. Repair or replace damaged cables</li> </ul>
	Data link not terminated with 120 Ohm termination plug	<ul style="list-style-type: none"> <li>Insert termination plug in output jack of the last fixture on the link</li> </ul>
	Incorrect addressing of the fixtures	<ul style="list-style-type: none"> <li>Check address setting</li> </ul>
	One of the fixtures is defective and disturbs data transmission on the link	<ul style="list-style-type: none"> <li>Bypass one fixture at a time until normal operation is restored: unplug both connectors and connect them directly together.</li> <li>Have the defective fixture serviced by a qualified technician</li> </ul>
	3-pin XLR Out on the fixtures does not match (pins 2 and 3 reversed)	<ul style="list-style-type: none"> <li>Install a phase-reversing cable between the fixtures or swap pin 2 and 3 in the fixture that behaves erratically</li> </ul>
No light or tile cuts out intermittently	tile is too hot	<ul style="list-style-type: none"> <li>Allow the tile to cool down</li> <li>Turn up the air conditioning</li> </ul>
	LEDs damaged	<ul style="list-style-type: none"> <li>Disconnect the tile and return it to your dealer</li> </ul>
	The power supply settings do not match local AC voltage and frequency	<ul style="list-style-type: none"> <li>Disconnect tile. Check settings and correct if necessary</li> </ul>

**Product Specifications**

Model:	Showtec Dancefloor Sparkle RGB
Input Voltage power supply:	120-250V 50/60 Hz
Power consumption:	8W
Protection rate:	IP20 back, IP44 top.
Dimensions:	607 x 607 x 30 mm (LxWxH)
Weight:	8,5 Kg
<b>Operating and Programming:</b>	
Control:	Programs, Colors, Speed, Brightness, DMX
DMX channels:	5
Control Protocol:	RF
<b>Electro-mechanical effects:</b>	
LED Quantity:	16x RGB LEDs
LED Type:	5050SMD
Max load:	150 Kg per panel
Compact size	
Easy to assemble	
Lightweight	
Max. ambient temperature $t_a$ :	40°C
Max. housing temperature $t_b$ :	80°C
<b>Minimum distance:</b>	
Minimum distance from flammable surfaces:	0,5 m
Minimum distance to lighted object:	1 m

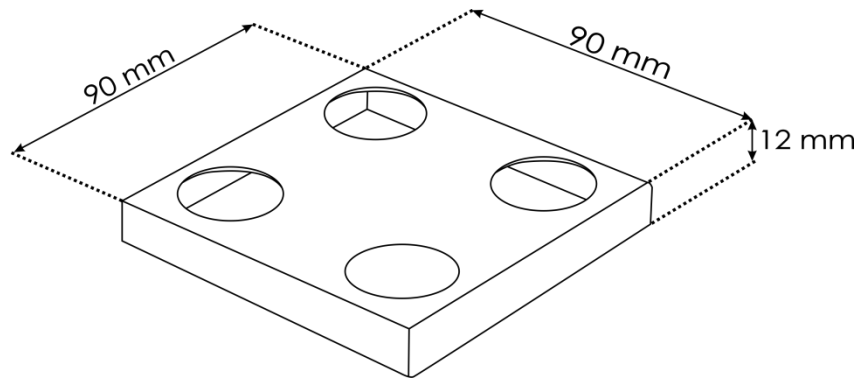
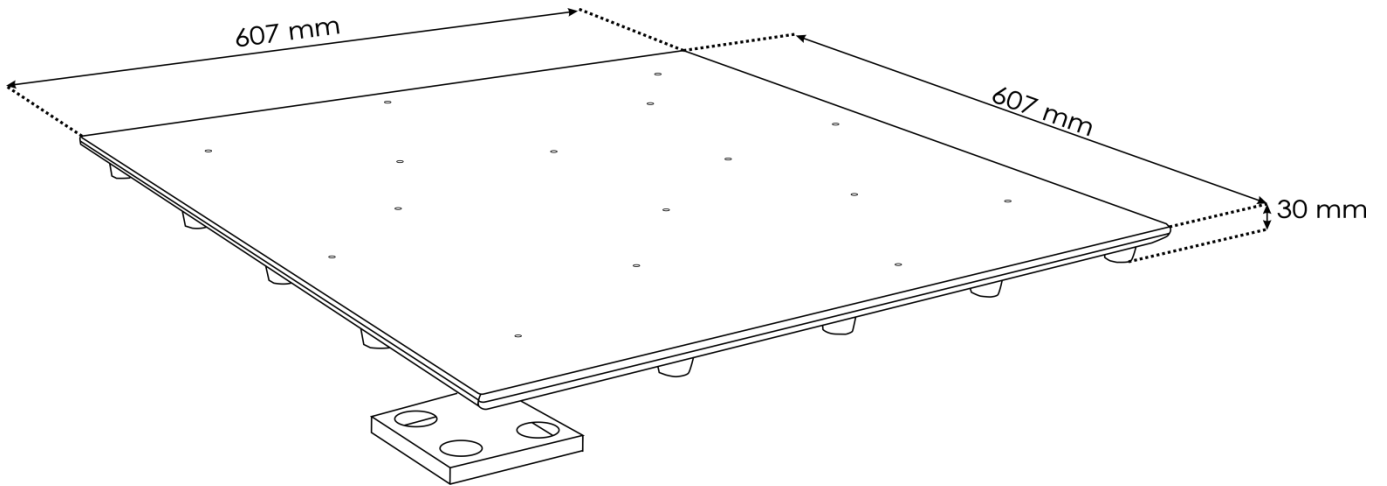
Design and product specifications are subject to change without prior notice.



Website: [www.Showtec.info](http://www.Showtec.info)  
Email: [service@highlite.nl](mailto:service@highlite.nl)

## Dimensions

---



(separately available ordercode [42338](#))





©2016 Showtec